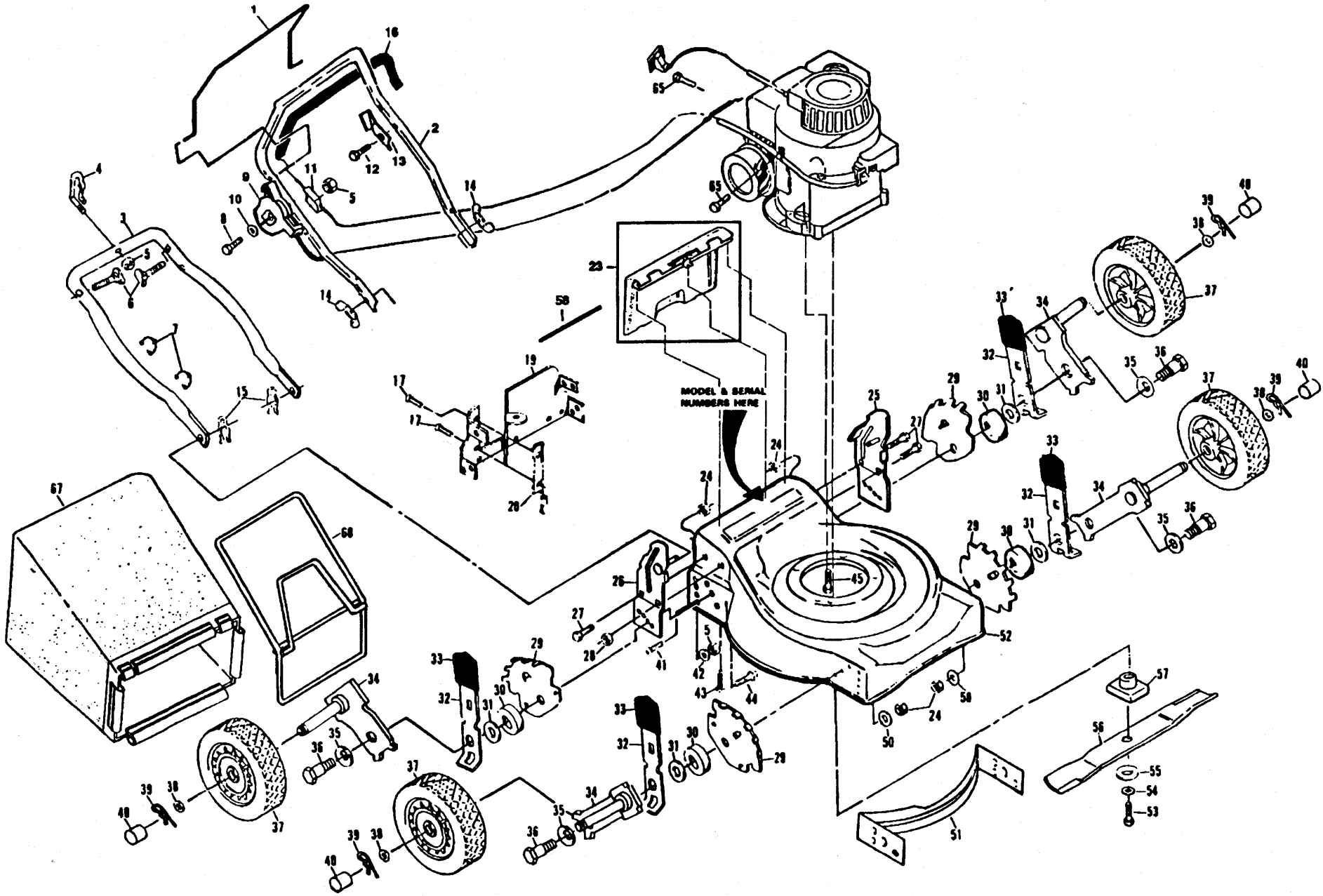


Flymo

LAWNCHIEF 508

9540564



F22-A



LAWNCHIEF 508 9540564

Key	Part No	Description	Quantity	Comments
1	5328507-35/4	Control bar	1	
2	5328003-26/3	Handle-upper	1	
3	5328004-81/6	Handle-lower	1	
4	5321036-72/4	Rope guide	1	
5	5320636-01/1	Locknut	2	
6	5320587-14/9	Bolt-handle	2	
7	5320858-27/6	Cable clip	2	
8	5320862-61/7	Screw	1	
9	5328514-61/6	Throttle control	1	
10	5320857-23/7	Washer	1	
11	5328516-69/4	Control cable	1	
12	5327500-97/0	Screw	1	
13	5328519-07/8	Bracket-up stop	1	
14	5321286-38/6	Wing knob	2	
15	5320517-93/0	Hairpin cotter	2	
16	5328507-24/8	Handle grip	1	
17	5320812-83/6	Screw	2	
19	5320810-22/8	Back plate	1	
20	5320756-95/9	Side baffle	1	
23	5328010-90/4	Flap-rear	1	
24	5327515-92/9	Locknut	4	
25	5328507-85/9	Handle bracket assy-l/h	1	
26	5328507-84/2	Handle bracket assy-r/h	1	
27	5320551-87/1	Screw	4	
28	5320631-24/4	Locknut	1	
29	5328509-04/6	Wheel adjusting bracket	4	
30	5320849-20/0	Spacer	4	
31	5320883-48/0	Washer-flat	4	
32	5328508-56/8	Selector spring	4	
33	5320878-77/9	Selector knob	4	
34	5320850-22/4	Axle arm	4	
35	5320623-35/7	Washer-belleville	4	
36	5320849-21/8	Bolt-shouldered	4	
37	5328002-20/8	Wheel/tyre assembly	4	
38	5320521-60/1	Washer	4	
39	5320851-79/2	Retainer clip	4	
40	5328000-90/5	Hubcap	4	
41	5320615-28/8	Screw	1	
42	5320538-47/2	Washer	1	
43	5320545-83/2	Screw	1	
44	5320530-66/9	Bolt-hex head	1	
45	5328509-98/8	Screw	1	
50	5320615-37/9	Washer	2	
51	5327522-83/4	Front baffle	1	
52	5321286-39/4	Housing assembly	1	
53	5328510-84/6	Screw	1	
54	5328502-63/7	Washer-helical	1	
55	5328510-74/7	Washer-hardened	1	
56	5328509-72/3	Blade-50.8cm	1	
57	5328509-77/2	Blade adaptor	1	
58	5327506-55/5	Hinge rod	1	
65	5320838-16/1	Screw	2	
67	5321281-45/2	Grassbag	1	
68	5320886-14/5	Catcher frame	1	

A Austria; AUS Australia; B Belgium; CND Canada; CH Switzerland; D Germany; DK Denmark; E Spain; EI Eire; F France; GB Great Britain; I Italy; N Norway; NL Netherlands; NZ New Zealand; O/S Overseas; P Portugal; S Sweden; SF Finland; USA America; ZA South Africa:

WHERE NO APPLICATION DETAILS ARE SHOWN, PART APPLIES TO ALL COUNTRIES